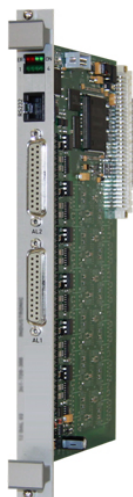


# 48 DIO 01

## Input/Output Board with 48 Control Lines



### Features and Functions

- 48 line inputs/outputs
- Line outputs are protected against short-circuit and overvoltage
- Galvanic separation between the line inputs and outputs
- Board can be replaced during normal operation due to hot-swap capability

The input/output board 48 DIO 01 is part of the INTRON-D *plus* communication and public address system from INDUSTRONIC and serves as interface to input/output systems controlled via contacts. It is used to read in and output 60/48 V line signals and thus serves as interface to signaling contacts, output relays, etc. The board is controlled via the 1 DXC 03 or 1 DXC 04 exchange control board from software version 6.3.0 or higher.

### Other Features

- HDLC interface for communication with the central exchange board
- Easy-to-service peripheral connection via two 25-pin Sub-D connectors at the front plate
- Watchdog-Reset
- Power indication via green LED
- Failure indication via red LED

### Mechanical Data

- |                  |                                  |
|------------------|----------------------------------|
| • Front plate    | 6 RU, 4 HP                       |
| • Height x depth | 233 mm x 160 mm<br>(9.2" x 6.3") |
| • Weight         | Approx. 0.4 kg (approx. 0.9 lbs) |
| • Connections    | PC612-C64 / Sub-D 25             |

### Electrical Data of Control Electronics

- |                       |       |
|-----------------------|-------|
| • Operating voltage   | 5 VDC |
| • Current consumption | 0.3 A |

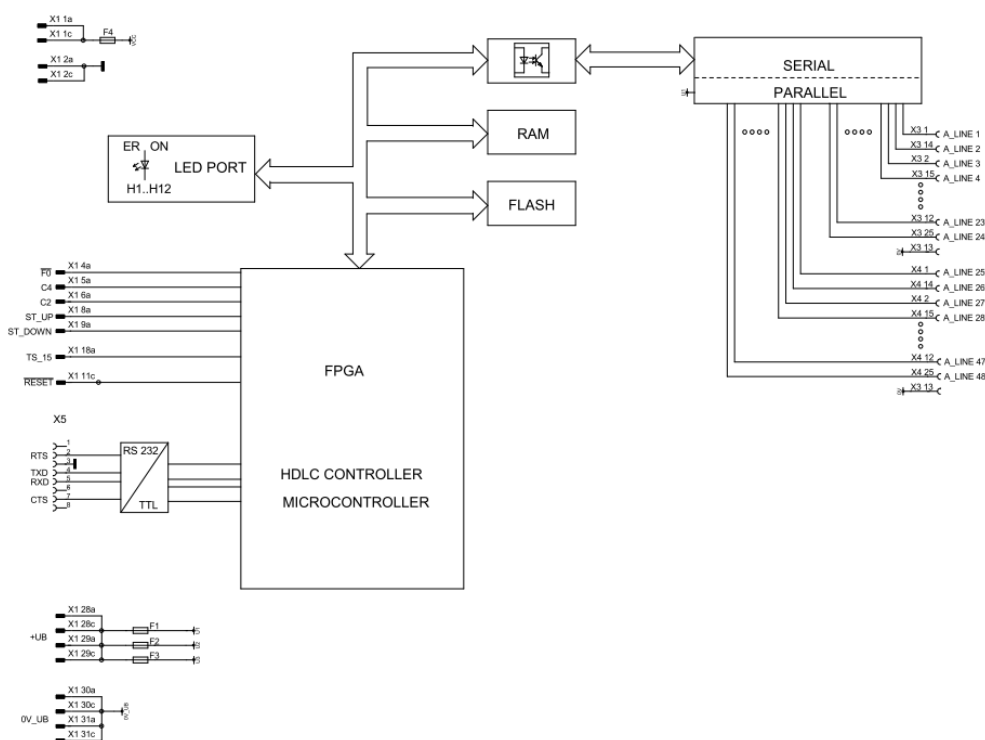


Fig. 1: Block diagram 48 DIO 01

### Electrical Data of Peripheral Connection

- Operating voltage range 48 VDC to 72 VDC
- Max. total current for 8 control lines 350 mA
- Min. input voltage for active control line 38 VDC

### Environmental Requirements and Standards

- Ambient temperature during operation -5 °C to +50 °C (+23 °F to +122 °F)
- Relative humidity (non-condensing) Max. 95 %
- EMV IEC/EN 61000-6-2  
IEC/EN 61000-6-4

### Order Data

#### Type Number

341-721-100

#### INDUSTRONIC®

Industrie-Electronic GmbH & Co. KG  
Carl-Jacob-Kolb-Weg 1  
97877 Wertheim / Germany

Tel.: +49 9342 871-0  
Fax: +49 9342 871-565

info@industronic.de  
www.industronic.com