



# KL 30 UE SPEAKER

## WEATHER-PROOF HORN SPEAKER WITH DEGREE OF PROTECTION OF IP67

The speaker is ideal for harsh and challenging environments and extreme temperatures. The M20 cable gland protects against the ingress of dust and water.



- Robust industrial technology
- Sturdy and robust design
- Degree of protection IP67
- Wide frequency range
- Sound pressure level of up to 124 dB
- Stainless steel bracket

### MECHANICAL DATA

<b>Housing</b>	Special plastic polyamide
<b>Diameter x depth</b>	237 mm x 286 mm (9.33" x 11.26")
<b>Threats</b>	2 x M20 x 1.5
<b>Cable gland</b>	1 x M20 x 1.5
<b>Connection</b>	Screw terminals (Cable cross-section up to 2.5 mm <sup>2</sup> )
<b>Weight</b>	Approx. 2.2 kg (4.85 lbs)
<b>Color</b>	Gray (RAL 7035)
<b>Mounting</b>	Stainless steel bracket

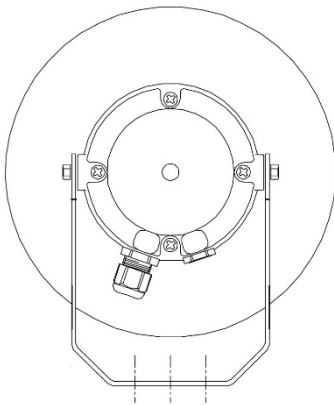
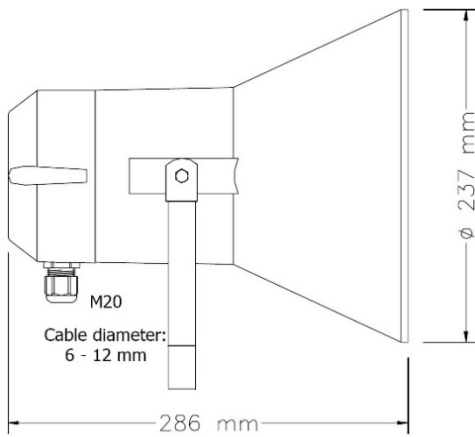
### ELECTRICAL DATA

<b>Rated power</b>	30 W
<b>Transformer tapings</b>	100 V : 30 W / 20 W / 15 W / 7.5 W / 3.5 W / 2 W
<b>Sound pressure level 1 W, 1 m (3.28 ft)</b>	110 dB (+/- 3 dB)
<b>Sound pressure level 30 W, 1 m (3.28 ft)</b>	124 dB (+/- 3 dB)
<b>Effective frequency range</b>	310 Hz to 8000 Hz
<b>Dispersion angle -6 dB</b>	1 kHz: 110°, 4 kHz: 32°

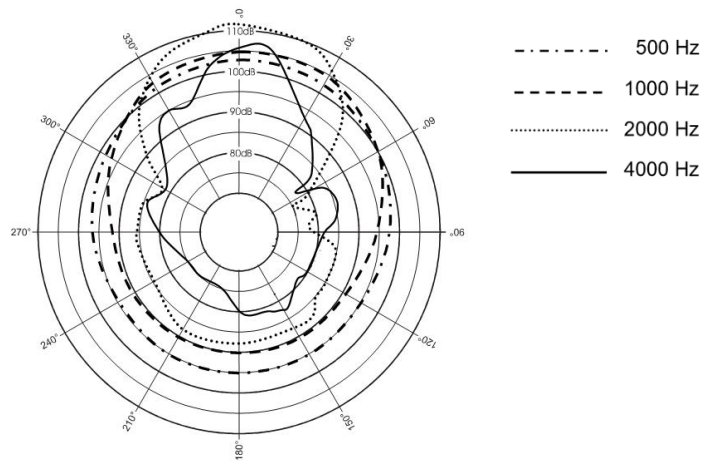
### ENVIRONMENTAL REQUIREMENTS AND STANDARDS

<b>Ambient temperature during operation</b>	-50 °C to +110 °C (-58 °F to +230 °F)
<b>Relative humidity (non-condensing)</b>	Max. 95 %
<b>Degree of protection</b>	IP67

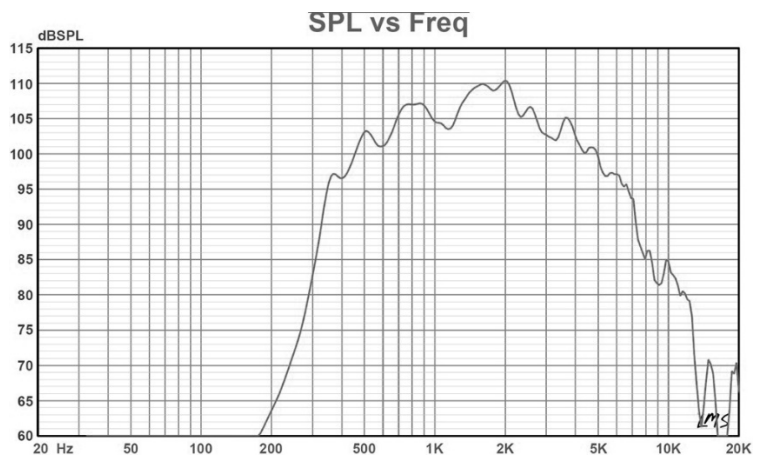
## DIMENSIONS



## POLAR DIAGRAMM



## FREQUENCY DIAGRAMM



## MEASUREMENT CONDITIONS

Sound pressure level (SPL)	1 W / 1 m (3.28 ft)
Pink noise	1/3 octave filter
Zero level in frequency response	60 dB
Range	55 dB

## SOUND PRESSURE LEVEL RELATED TO DISTANCE

P <sub>max</sub> 30 W	Level (dB)	(-6dB)	(-23dB)	(-28dB)	(-36dB)	
	at					
	1 m (3.28 ft)	2 m (6.56 ft)	15 m (49.21 ft)	25 m (82.02 ft)	65 m (213.25 ft)	
		124	118	101	96	88

## ORDER DATA

Type number	001-230-003
-------------	-------------

© INDUSTRONIC