

BExL25E

Explosion-proof Horn Speaker



Main features

- Explosion-proof for Zone 1 and 2
- Robust industrial design
- Stainless steel bracket
- Ingress protection IP66
- ATEX and IECEx certification
- Internal and external earth terminal

The explosion proof horn loudspeaker of the BExL25E series are used together with the INDUSTRONIC communication and public address system. They are especially designed for the use in hazardous and noisy areas.

The bipolar connection cable is inserted into the e-chamber via a cable gland. The power adjustment is carried out via different connection tappings on the primary side of the 100 V transformer.

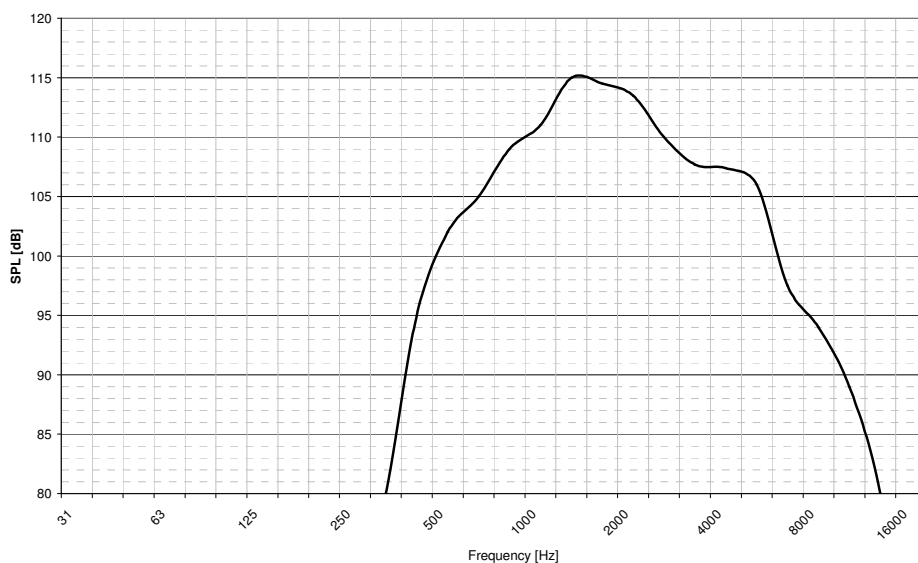
Mechanical data

• Housing	LM6 Aluminum
• Horn	ABS
• Diameter x length	Ø 220 mm x 326 mm (8 ¾" x 12 ¾")
• Cable entry	2 x M20 x 1.5
• Connection	Screw terminals
• Ingress protection	IP66
• Weight	App. 4 kg (9 lb)
• Color	Red (RAL 3000)
• Mounting	Stainless steel bracket

Electrical data

• Rated power	25 W
• Transformer tappings	100 V: 25 W / 12.5 W / 6 W / 2 W
• Sound pressure level 1 W, 1 m	105 dB +/-3 dB
• Sound pressure level 25 W, 1 m	119 dB +/-3 dB
• Frequency range	300 Hz to 8.000 Hz
• Dispersion angle -6 dB	1 kHz: 130° / 4 kHz: 32°
• Certification / Operating temperature	Ex II 2G, Ex de IIB T4 for -50 °C to +70 °C (-58 °F to 158 °F) Ex II 2G, Ex de IIC T4 for -50 °C to +55 °C (-58 °F to 131 °F)

Frequency diagram



Measurement conditions

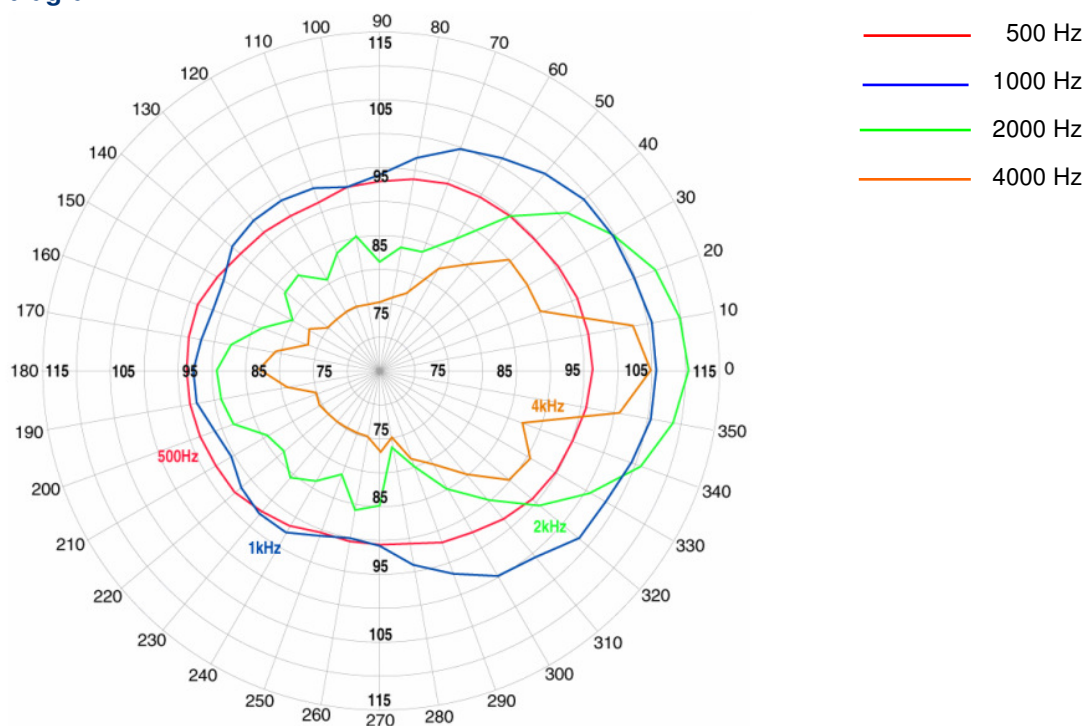
Sound pressure level (SPL): 1 W / 1 m

Pink noise: 1/3 octave filter

Output level related to distance

P _{max} :	Level (dB) at	(-6 dB)	(-14 dB)	(-20 dB)	(-23 dB)	(-26 dB)	(-28 dB)	(-29 dB)	(-36 dB)
	25 W	1 m (3 1/4 ft)	2 m (6 1/2 ft)	5 m (16 1/4 ft)	10 m (32 3/4 ft)	15 m (49 1/4 ft)	20 m (65 1/2 ft)	25 m (82 ft)	30 m (98 1/4 ft)
		119	113	105	99	96	93	91	83

Polar diagram



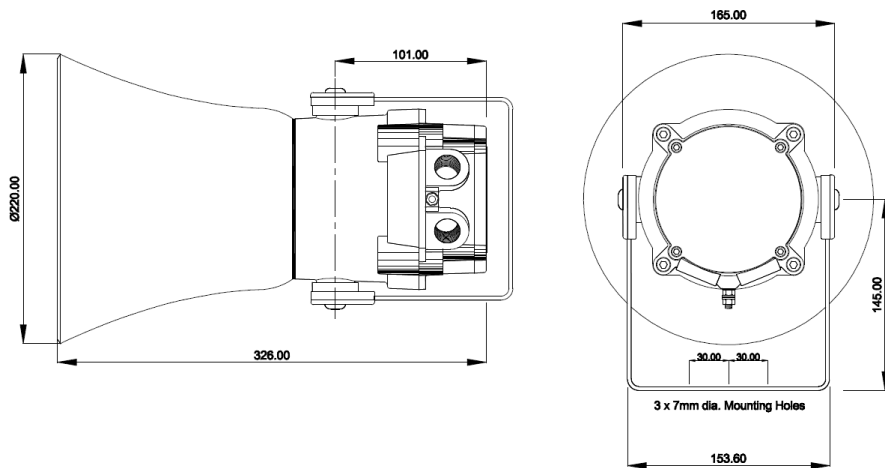


Figure 1: Dimensional drawing BExL25E

INDUSTRONIC®

Industrie-Electronic GmbH & Co. KG
 Carl-Jacob-Kolb-Weg 1
 97877 Wertheim / Germany

Tel.: +49 9342 871-0
 Fax: +49 9342 871-565

info@industronic.de
 www.industronic.com