



KL 15/2 UE SPEAKER

WEATHER-PROOF HORN SPEAKER

The speaker is ideal for speech and alarm transmission in indoor and outdoor areas. They are mounted using the U bracket.



- Robust industrial technology
- Sturdy design
- Lightweight
- Stainless steel bracket
- For indoor and outdoor
- Degree of protection IP67

MECHANICAL DATA

| | |
|-------------------|---------------------------------|
| Housing | Plastic |
| Diameter x length | 200 mm x 248 mm (7.87" x 9.76") |
| Threads | 2 x 20 mm (0.79") |
| Cable gland | 1 x M20 |
| Connection | Screw terminal |
| Weight | 1.8 kg (3.97 lbs) |
| Color | Light gray (RAL 7035) |
| Mounting | Stainless steel bracket |

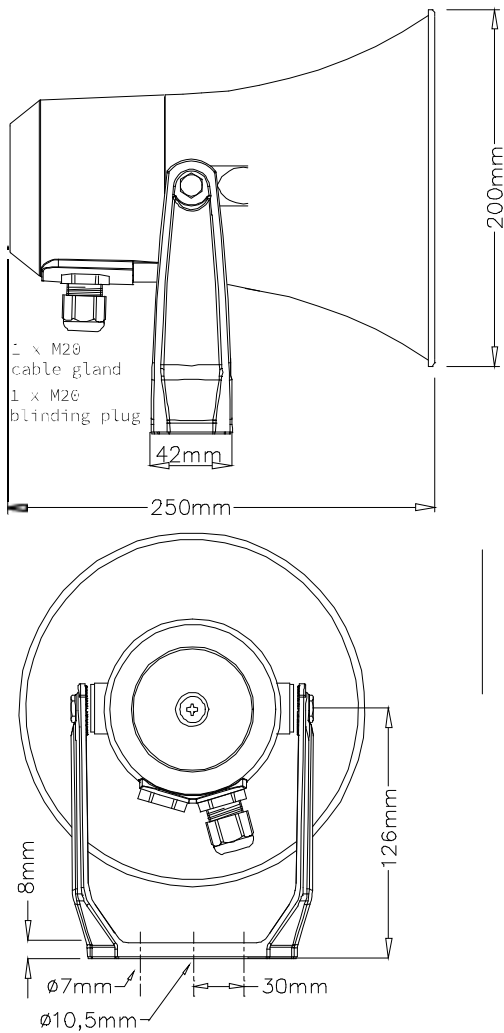
ELECTRICAL DATA

| | |
|---|---------------------------------|
| Rated power | 15 W |
| Transformer tapplings | 100 V: 15 W / 7,5 W / 4 W / 2 W |
| Sound pressure level 1 W, 1 m (3.28 ft) | 108 dB (+/-3 dB) |
| Sound pressure level 15 W, 1 m (3.28 ft) | 118 dB (+/-3 dB) |
| Effective frequency range | 330 Hz to 8,000 Hz |
| Dispersion angle -6 dB | 1 kHz: 130°; 4 kHz: 35° |

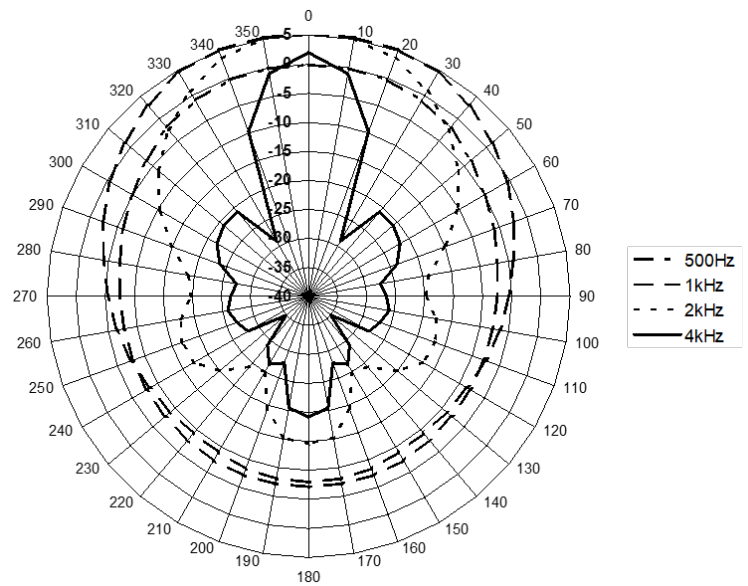
ENVIRONMENTAL REQUIREMENTS AND STANDARDS

| | |
|--------------------------------------|--|
| Ambient temperature during operation | -50 °C to +90 °C (-58 °F to 194 °F) |
| Relative humidity (non-condensing) | Max. 95 % |
| Degree of protection | IP67 |

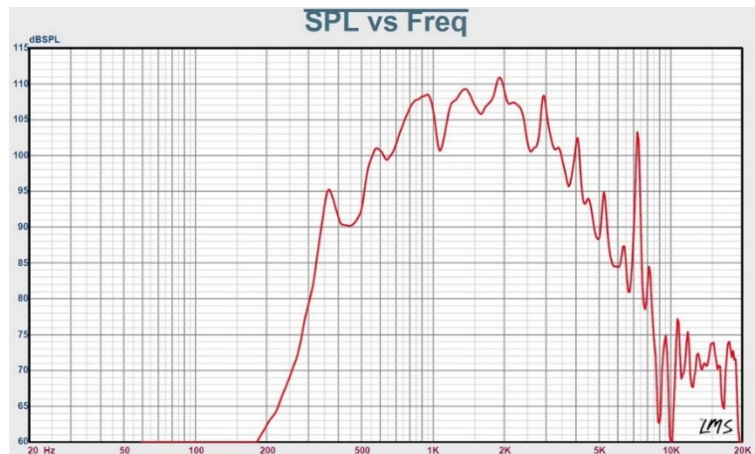
DIMENSIONS



POLAR DIAGRAMM



FREQUENCY DIAGRAMM



MEASUREMENT CONDITIONS

Sound pressure level (SPL) 1 W / 1 m (3.28 ft)

Pink noise 1/3 octave filter

Zero level in frequency response 60 dB

Range 55 dB

SOUND PRESSURE LEVEL RELATED TO DISTANCE

| P_{max} 15 W | Level (dB) at | (-6 dB) | (-23 dB) | (-28 dB) | (-36 dB) | |
|-------------------|------------------|------------------|--------------------|--------------------|---------------------|----|
| | 1 m (3.28 ft) | 2 m (6.56 ft) | 15 m (49.21 ft) | 25 m (82.02 ft) | 65 m (213.25 ft) | |
| | | 118 | 112 | 95 | 90 | 82 |

© INDUSTRIKONIC

ORDER DATA

Type Number 001-215-002



INDUSTRONIC.COM