

# LD 6 Ü / 200

## In-ceiling Speaker



### Features and Functions

- For mounting into suspended ceilings
- Ideal for transmission of voice and background music
- Robust industrial technology
- Solid plastic housing

The compact in-ceiling speakers of the LD 6 Ü / 200 series are used together with the INDUSTRONIC communication and public address system. They are ideal for all kinds of suspended ceilings. Quick snap-in mounting due to circular ceiling cut-out through which the speaker can be installed.

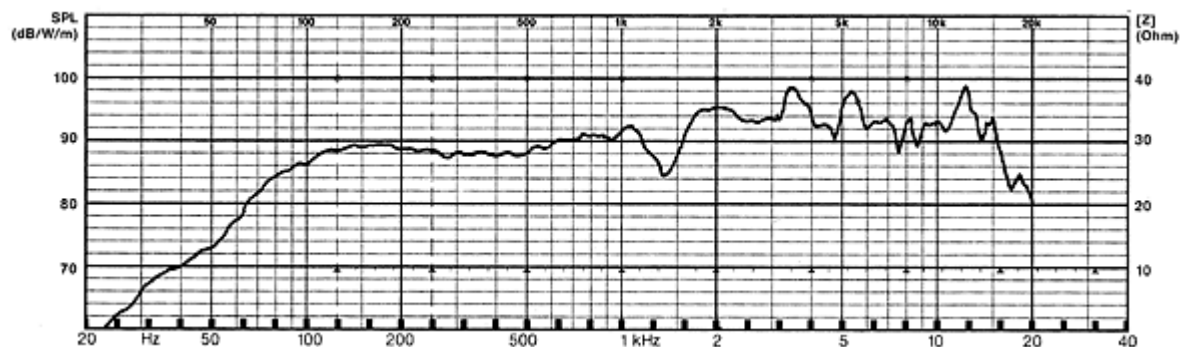
### Mechanical Data

• Housing	Plastic
• Diameter x depth	218 mm x 93 mm (8.6" x 3.7")
• Connection	Terminals
• Weight	1.2 kg (2.7 lbs)
• Color	White (RAL9016)
• Mounting	In-ceiling mounting (snap-in mechanism)
• Mounting cut-out	Ø 200 mm (7.9")

### Electrical Data

• Rated power	6 W
• Transformer tapplings	100 V; 6 W / 3 W / 1.5 W
• Sound pressure level 1 W, 1 m	93 dB +/-3 dB
• Sound pressure level 6 W, 1 m	101 dB +/-3 dB
• Effective frequency range (-10 dB)	70 Hz to 20.000 Hz
• Dispersion angle (-6 dB)	1 kHz: 180° 2 kHz: 68° 4 kHz: 46°

### Frequency Diagram



### Measurement Conditions

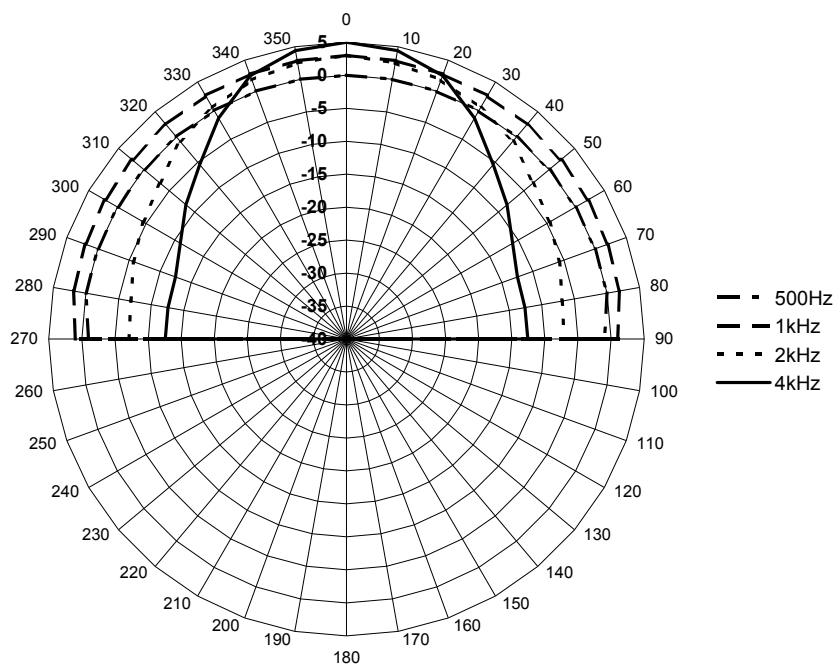
SPL: 1W / 1m

Pink noise: 1/3 octave filter

### Output Level Related to Distance

P <sub>max</sub> :	Level (dB) at	(-6 dB)	(-12 dB)	(-16 dB)	(-18 dB)	(-22 dB)	(-24 dB)	(-26 dB)	(-28 dB)
	6 W	1 m	2 m	4 m	6 m	8 m	12 m	16 m	20 m
	101	95	89	85	83	79	77	75	73

### Polar Diagram



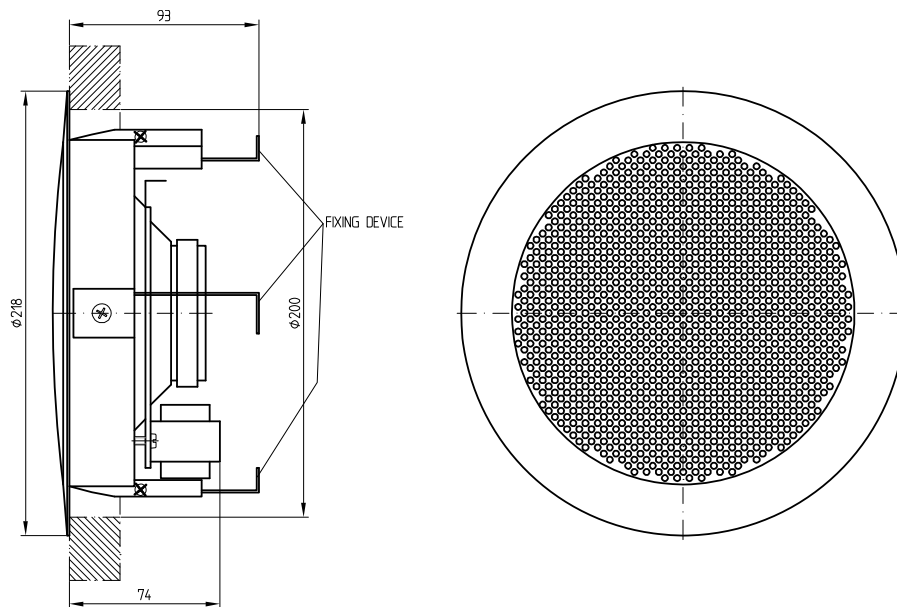


Figure 1: Dimensional drawing LD 6 Ü / 200

**INDUSTRONIC®**

Industrie-Electronic GmbH & Co. KG  
 CarlJacobKolbWeg 1  
 97877 Wertheim / Germany

Tel: +49 9342 871-0  
 Fax: +49 9342 871-565

info@industronic.de  
 www.industronic.com