

LW 6 ÜRW / ÜRB

Wall-mounted Speaker with Volume Control



Features and Functions

- For use in indoor areas
- Ideal for transmission of voice and background music
- Robust industrial design
- Stable plastic housing
- Easy mounting
- Highest intelligibility

The wall-mounted speakers of the LW 6 ÜRW / ÜRB series are used together with the INDUSTRONIC communication and public address system. They are ideal for use in indoor areas, e.g. offices, stairwells, corridors, or workshops.

The two-pole connection cable is inserted through the back of the housing. The volume is controlled via a potentiometer behind the speaker grille.

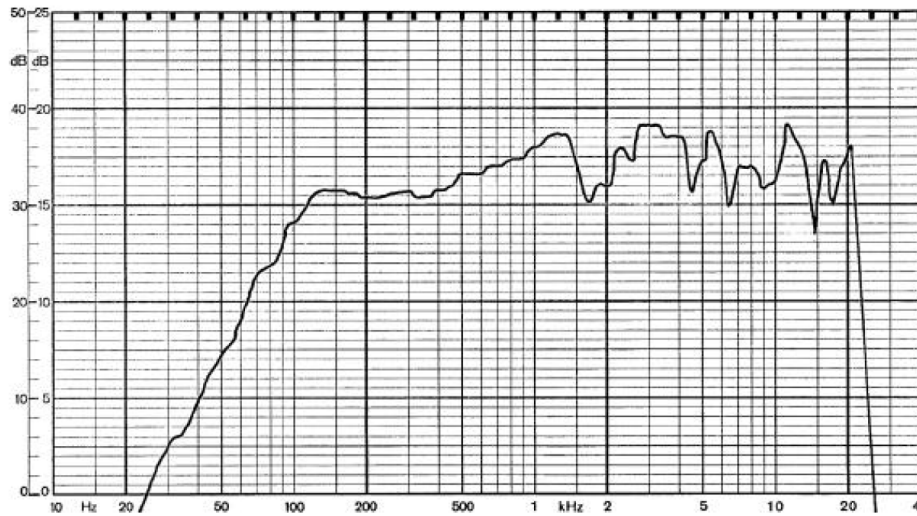
Mechanical Data

• Housing material	Plastic
• Speaker grille	Metal
• Connection	Terminal
• Width x height x depth	260 mm x 175 mm x 83 mm (10.2" x 6.9" x 3.3")
• Weight	1.3 kg (2.9 lbs)
• Color	LW 6 ÜRW: white, RAL 9016 LW 6 ÜRB: brown, RAL 8028

Electrical Data

• Rated power	6 W
• Transformer tapings	100 V; 6 W / 3 W / 1.5 W
• Effective frequency range	100 Hz to 20.000 Hz
• Sound pressure level 1 W, 1 m	91 dB +/-3 dB
• Sound pressure level 6 W, 1 m	99 dB +/-3 dB

Frequency Diagram



Measurement Conditions

Sound pressure level (SPL): 1 W / 1 m

Pink noise: 1/3 octave filter

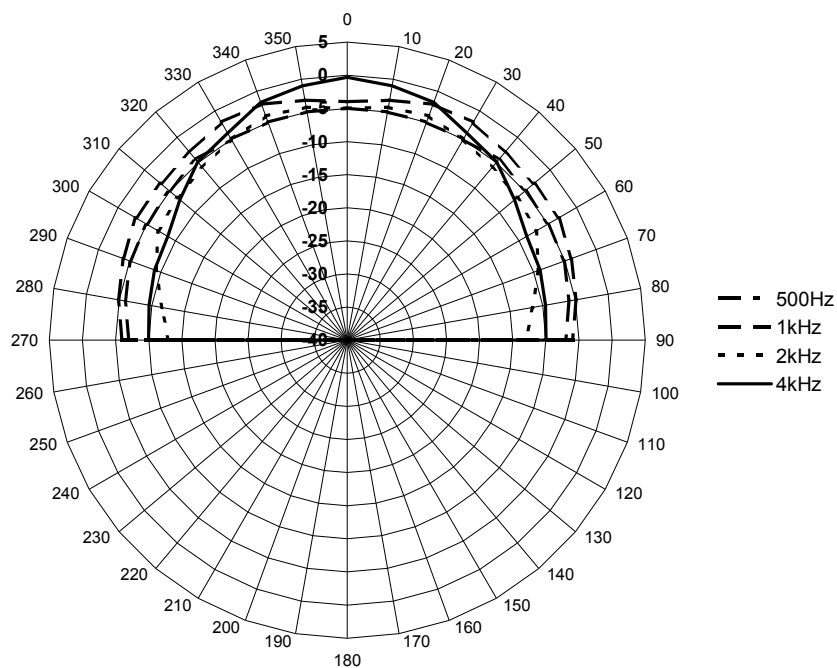
Zero level: 60 dB

Range: 50 dB

Output Level Related to Distance

P _{max} :	Level (dB)	(-6 dB)	(-12 dB)	(-16 dB)	(-18 dB)	(-22 dB)	(-24 dB)	(-26 dB)	(-28 dB)
	at								
6 W	1 m	2 m	4 m	6 m	8 m	12 m	16 m	20 m	25 m
	99	93	87	83	81	77	75	73	71

Polar Diagram



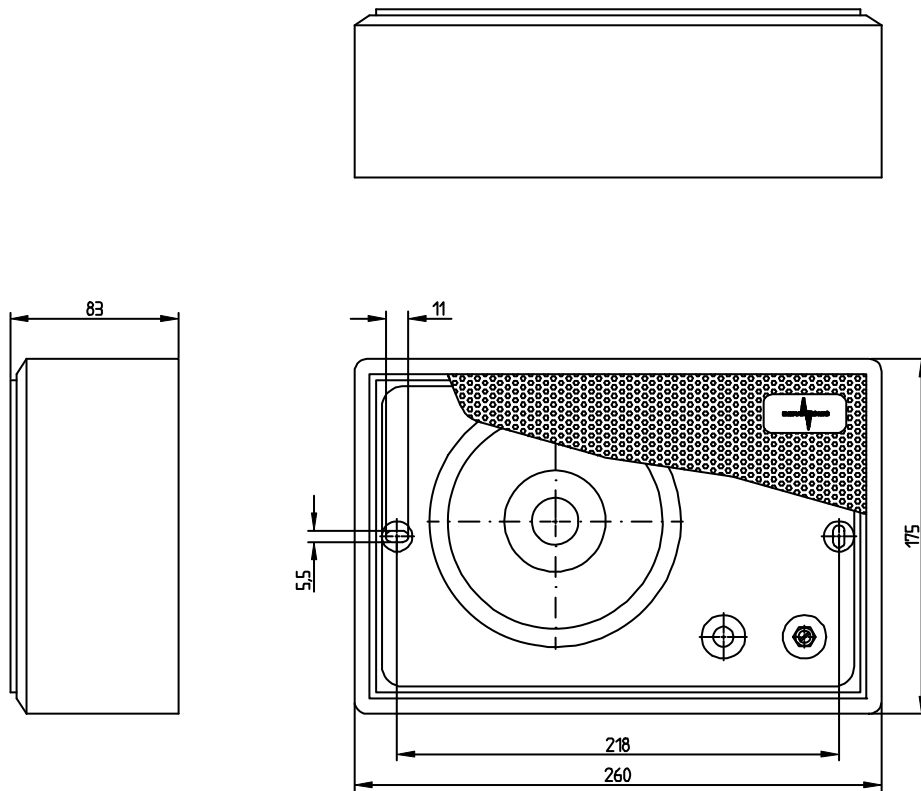


Figure 1: Dimensional drawing LW 6 ÜRW / ÜRB

INDUSTRONIC®

Industrie-Electronic GmbH & Co. KG
 CarlJacobKolbWeg 1
 97877 Wertheim / Germany

Tel: +49 9342 871-0
 Fax: +49 9342 871-565

info@industronic.de
 www.industronic.com