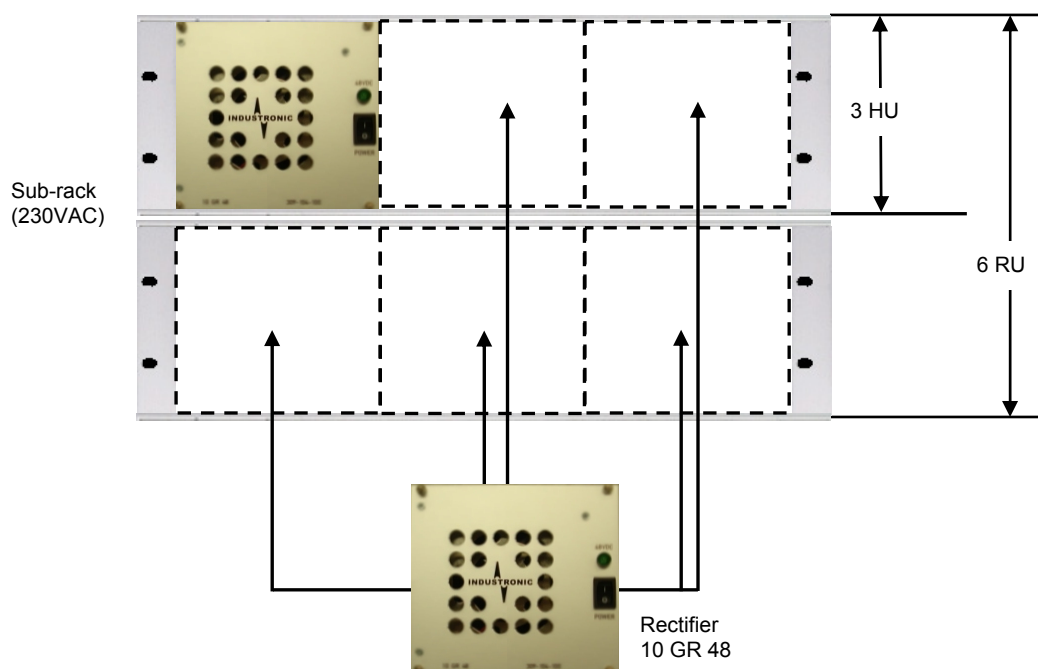


PSC- ... / 48 / ...

Power Supply Systems



Max. output at 230 VAC:

3 RU: max. 30 A / 48 VDC

6 RU: max. 40 A / 48 VDC (expandable by connecting additional rectifiers in parallel)

Max. output at 120 VAC:

3 RU: max. 30 A / 48 VDC

6 RU: max. 60 A / 48 VDC

The INDUSTRONC PSC ... / 48 / ... systems are complete power supply systems ready to use at 48 VDC. Based on the latest technology they are modularly designed and thus highly flexible and adaptable to all requirements. Connecting individual rectifiers in parallel increases the output power and minimizes the risk of complete failure of the power supply system.

Features

- Adjustable output voltage from 42 V to 56 V
- Power factor correction (PFC)
- Possibility of parallel operation by means of an integrated decoupling diode
- Overvoltage protection
- Cooling by temperature-controlled fan

Components

- 10 GR 48 (art. no. 309-104-100)
- 1 to 2 sub-racks 3 BT 03 (art. no. 216-340-000)

Mechanical data

- | | |
|---------------------------------|----------------|
| • Construction | Plug-in case |
| • Dimensions of the front plate | 3 RU, 28 HP |
| • Mains connection | Apparatus plug |
| • DC connection | Clamps |

Systems

Type	Input (nom.)	Output (nom.)	HU	Rectifier	Sub-rack
230 VAC Input / 48 VDC Output					
PSC-230/48/10	230 VAC / 3.4 A	48 VDC / 10 A	3	1 x 10 GR 48	1
PSC-230/48/20	230 VAC / 6.8 A	48VDC / 20 A	3	2 x 10 GR 48	1
PSC-230/48/30	230 VAC / 10.2 A	48 VDC / 30 A	3	3 x 10 GR 48	1
PSC-230/48/40	230 VAC / 13.6 A	48 VDC / 40 A	6	4 x 10 GR 48	2
120 VAC Input / 48 VDC Output					
PSC-120/48/10	120 VAC / 7 A	48 VDC / 10 A	3	1 x 10 GR 48	1
PSC-120/48/20	120 VAC / 14 A	48 VDC / 20 A	3	2 x 10 GR 48	1
PSC-120/48/30	120 VAC / 21 A	48 VDC / 30 A	3	3 x 10 GR 48	1
PSC-120/48/40	120 VAC / 28 A	48 VDC / 40 A	6	4 x 10 GR 48	2
PSC-120/48/50	120 VAC / 35 A	48 VDC / 50 A	6	5 x 10 GR 48	2
PSC-120/48/60	120 VAC / 42 A	48 VDC / 60 A	6	6 x 10 GR 48	2

INDUSTRONIC®

Industrie-Electronic GmbH & Co. KG
 Carl-Jacob-Kolb-Weg 1
 97877 Wertheim / Germany

Tel.: +49 9342 871-0
 Fax: +49 9342 871-565

info@industronic.de
 www.industronic.com