



1 ELM END-OF-LINE MODULE

The end-of-line module is used for the monitoring of flashing warning beacon lines. Together with a module including line monitoring the end-of-line module presents a defined resistance making the monitoring possible in the first place.



- Available for 24 V DC, 48/60 V DC, 115 V AC and 230 V AC
- Robust glass-fiber reinforced housing
- Degree of protection IP65

MECHANICAL DATA

Housing	Wall mounting
Housing material	Glass-fiber reinforced housing
Width x height x depth	160 mm x 160 mm x 90 mm (6.30" x 6.30" x 3.54")
Cable entry	2 x M20 x 1.5
Cable gland	1 x M20 x 1.5
Cross-section cable	Max. 10 mm ²
Connections	Screw terminals
Weight	Approx. 1.5 kg (approx. 3.31 lbs)

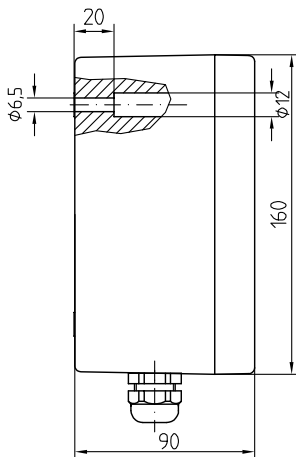
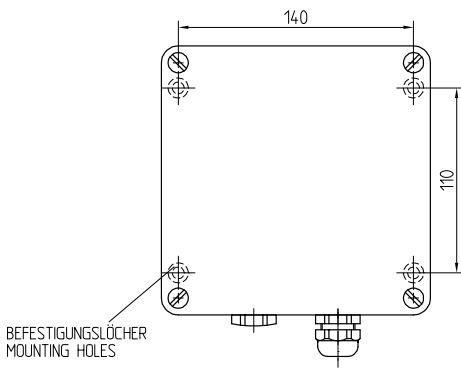
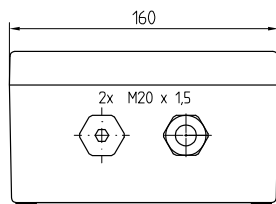
ELECTRICAL DATA

Type	Operating Voltage	Monitoring Resistor	Internal Fuse
1 ELM 24	20 V DC to 34 V DC	150 Ohms	100 mA (medium time lag)
1 ELM 60	40 V DC to 70 V DC	150 Ohms	100 mA (medium time lag)
1 ELM 115	115 V AC (+/- 15 %)	180 Ohms	100 mA (medium time lag)
1 ELM 230	230 V AC (+/- 15 %)	270 Ohms	250 mA (time lag)

ENVIRONMENTAL REQUIREMENTS AND STANDARDS

Ambient temperature during operation	-20 °C to +70 °C (-4 °F to +158 °F)
Relative humidity (non-condensing)	Max. 95 %
Degree of protection	IP65

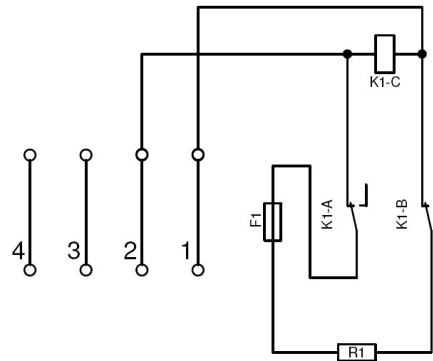
DIMENSIONS



ORDER DATA

Type	Type Number
1 ELM 24	304-110-700
1 ELM 60	304-110-400
1 ELM 115	304-110-500
1 ELM 230	304-110-600

BLOCK DIAGRAM



© INDUSTRONIC