



48 WBL 11

# FLASHING WARNING BEACON

## FOR USE IN INDUSTRIAL ENVIRONMENTS

The flashing warning beacon is used to visually indicate alarm signals as well as incoming calls at intercom stations. It can directly be controlled by the INDUSTRONIC system or an intercom station. The robust beacon can be installed both indoors and outdoors.



- Weather-proof flashing warning beacon for industrial environments
- Degree of protection IP66 and IP67
- Robust fire-retardant plastic housing
- Impact-proof lens with dome guard
- Adjustable stainless steel bracket for 360° positioning
- Mechanically secured against vibration
- Universal application possibilities

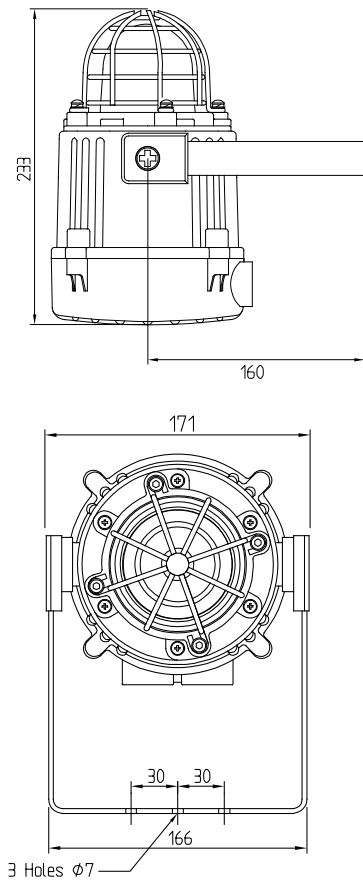
### MECHANICAL DATA

<b>Housing material</b>	Plastic according to UL94 V0 und 5VA FR ABS
<b>Lens material</b>	Borosilicate glass with Polycarbonate (PC) lens cover
<b>Width x height</b>	171 mm x 233 mm (6.73" x 9.17")
<b>Cable gland</b>	2 x M20
<b>Weight</b>	Approx. 1.5 kg (approx. 3.42 lbs)
<b>Lens colors</b>	Amber, Clear, Red, Yellow (other colors upon request)

### ELECTRICAL DATA

<b>Operating voltage range</b>	42 V DC to 54 V DC
<b>Current consumption</b>	180 mA
<b>Flash energy</b>	5 Joule
<b>Flash rate</b>	1 Hz

## DIMENSIONS



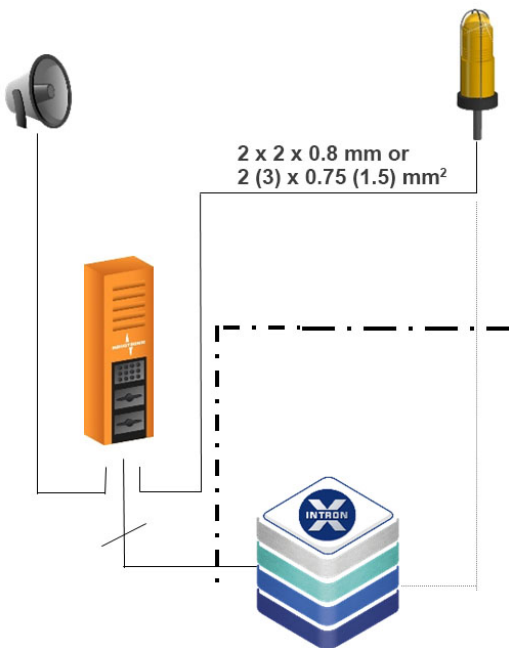
## ENVIRONMENTAL REQUIREMENTS AND STANDARDS

<b>Ambient temperature during operation</b>	-40 °C to +65 °C (-40 °F to +149 °F)
<b>Degree of protection</b>	IP66 and IP67
<b>Approval</b>	RS 19.00193.278

## TYPE OVERVIEW

Lens Color	Type	Type Number
Amber	48 WBL 11/AM	070-000-058/AM
Clear	48 WBL 11/CL	070-000-058/CL
Red	48 WBL 11/RD	070-000-058/RD
Yellow	48 WBL 11/YE	070-000-058/YE

## APPLICATION



### Call Signaling at Intercom Stations

The flashing warning beacon starts to flash, as soon as the intercom station receives a call. The signaling stops, as soon as the incoming call has been accepted or the pre-programmed time has elapsed.

### Alarm Signaling

The flashing warning beacon is activated for the duration of the alarm. It can either be connected directly to the system or an intercom station in order to control the beacon from there.

© INDUSTRONIC